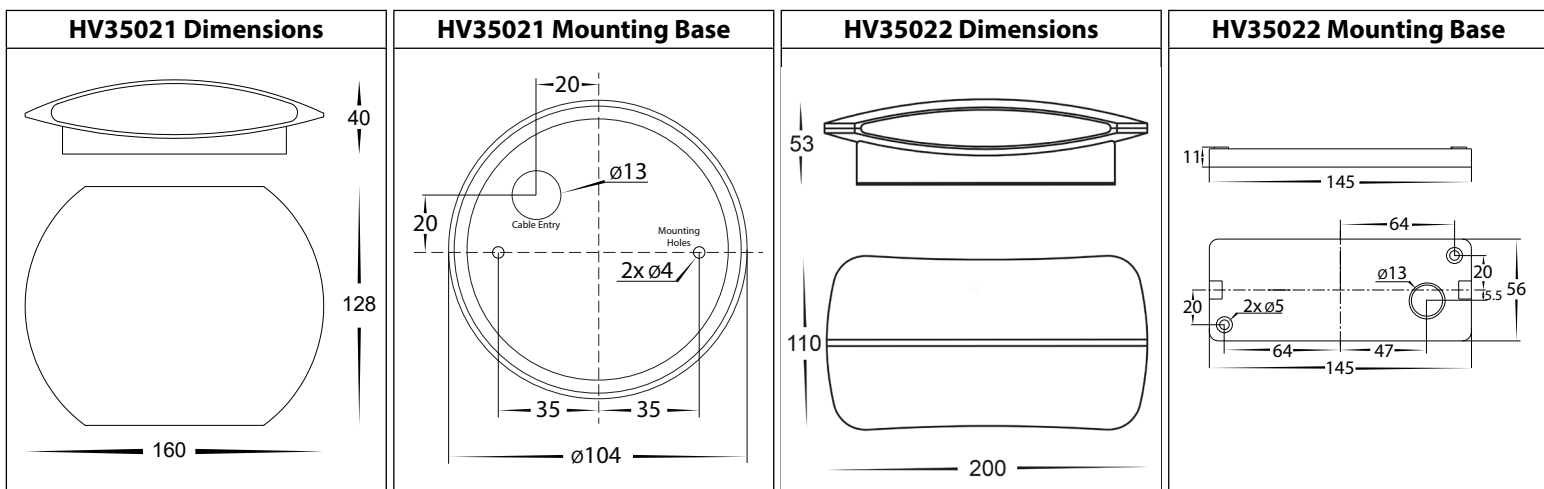


Cara Wall Light Installation Instructions



Product Specifications

Model No.	HV35021T-BLK	HV35021T-WHT	HV35022T-BLK	HV35022T-WHT
Name	Cara			
Material	Aluminium			
Colour	Black	White	Black	White
IP Rating	IP54			
Input Voltage	240v AC			
Protection Class	⏚ (Requires Earth)			
Lamp Base	Built in LED			
Lamp Wattage	2x 3w		2x 4.5w	
Colour Temp	TRI Colour - 3000k, 4000k, 5500k		TRI Colour - 3000k, 4000k, 5500k	
Lumens	2x 230lm, 2x 245lm, 2x 235lm		2x 250lm, 2x 300lm, 2x 280lm	
CRI	>80+			
Wiring	Parallel			
Dimmable	No			
Warranty	3 Years Replacement*			



Important Safety Issues:

- This product must be installed by a qualified electrician according to AS/NZS 3000.
- Ensure all electrical mains are disconnected before any installation.
- Modification of this product will void any warranty.
- Havit Lighting does not take responsibility for wrong installation, incorrect use, or use of installation material that does not belong to the system.
- Aluminium and 304SS fittings must not be installed within 5km of any salt water environments.
- All o-rings and seals must be in place correctly to maintain warranty
- This form may be updated at any time due to product improvements, please check online installation form for most current version.

Steps for Installation:

1. Make sure that the electrical circuit is free of voltage (master switch off)
2. Loosen allen screws on side of fitting and remove face and set aside.
3. Install base plate to wall in desired location
4. Seal all holes including cable entry hole + mounting screws
5. Connect the cable - use wire with earth; connect the earth first, then live and neutral wire
6. Fitting is preset to 3000k, to change slide switch to desired colour temperature
7. Reattach face to base plate making sure allen screws are tight to avoid water penetration
8. Apply silicon around edge of fitting to prevent any water from getting inside to electrical connections.
9. All connections must be carried out carefully, inspect all contacts before switching back on the electric circuit.

Must be installed by a licensed electrician

Contact Details:

143 Beauchamp Road
Matraville NSW 2036
Australia
Tel: 02 9381 8300
Fax: 02 9666 8881
Email: sales@havit.com.au
Web: www.havit.com.au

Warranty Terms & Conditions*



Additional Information

