

ventairtm

**INSTALLATION / USER INSTRUCTION
MANUAL**



**MODEL:
VUF150SS
VUF150WH**

**READ THIS INSTRUCTION CAREFULLY BEFORE INSTALL OR
OPERATE THIS APPLIANCE.**

● IMPORTANT INFORMATION

WARNING: FOR YOUR SAFETY, ALL ELECTRICAL MUST BE CARRIED OUT BY A LICENSED ELECTRICIAN.

This appliance is not intended for use by persons (including children) with reduced physical, sensory or mental capabilities, or lack of experience and knowledge, unless they have been given supervision or instruction concerning use of the appliance by a person responsible for their safety.

Children should be supervised to ensure that they do not play with the appliance.

Fan must be installed at least 120cm above any hotplate and must have at least 50cm clearance at the rear of the fan blades.

Minimum installation height is 2.1 meters from the floor to the bottom of the exhaust fan.

If the room where the fan is to be installed already contains a stove, water heater or a gas fire, it is essential to ensure that the air supply to the room is enough for both the fan and the combustion appliance.

Please check the appliance that has not been damaged during the transportation.

Check the electrical specifications label corresponds to your electrical supply carefully.

● PARTS IDENTIFICATIONS

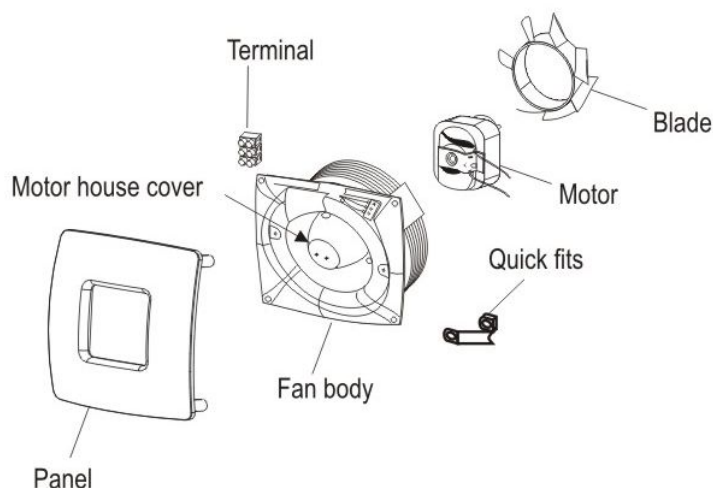


Fig. 1

● DIMENSION (mm)

Model	A	B	C	D
VUF150SS	193X193	33	120	145
VUF150WH	193X193	33	120	145

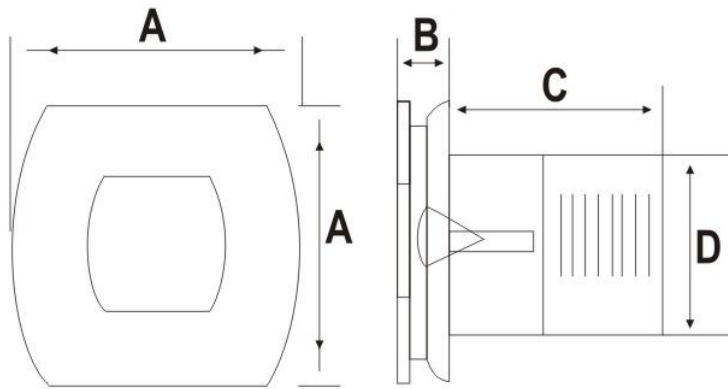


Fig. 2

• WIRING DIAGRAM

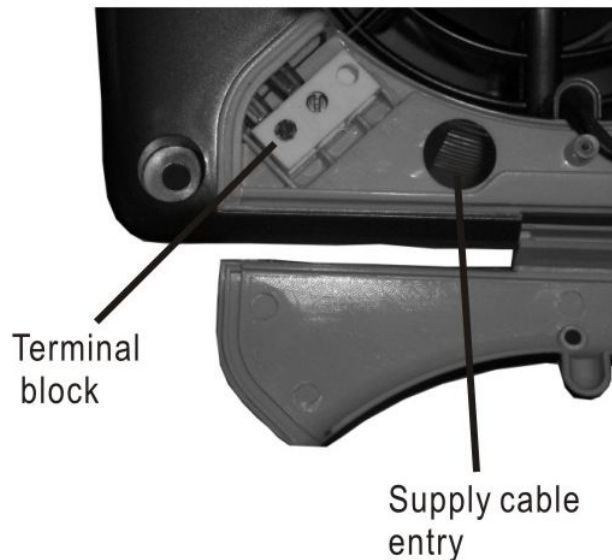
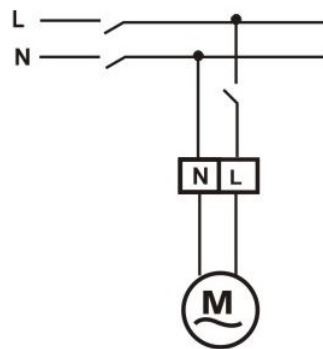


Fig. 3

• IMPORTANT CONSIDERATION BEFORE INSTALLING

1. Adhere to the latest national wiring rules AS/NZS3000, for wiring and when installing in bathrooms, nearby sinks and water taps.
2. For the exhaust fan to work efficiently. Replacement air of volume equivalent to what is being extracted must be able to enter the room. In general this air would be drawn under the door, through a slightly opened window. If the room is air tight, the fan will function poorly.
3. This product is designed for installation on flat glass windows only, using the windows kit.
4. Before commencing any cutting, check in the mounting location so that there is no obstruction such as windows frames, or joints and that there is sufficient tight clearance for the housing. Check the electrical wiring can be routed from the wall switch to the mounting location.

● INSTALLATION

Warning: For your safety, all electrical work must be carried out by a licensed electrician. All electrical wiring must be in accordance with latest national wiring rules AS/NZS 3000.

Warning: Ensure the power supply to the exhaust fan is switch OFF before carrying out any installation and maintenance.

Note: A double switch must be included in the electrical wiring of the exhaust fan.

● WALL INSTALLATION

1. Find a suitable location and cut the appropriate size (150mm). Ensure there are no cables or pipes behind the wall when cutting. The hole should slope slightly to the external wall, this will allow drainage of any ingress from rain.
2. Remove the front panel of the exhaust fan and position against the wall and mark the four fixing screw points and cable entry, and then drill to suit.
3. Place the exhaust fan through the cut out hole and position in place.
4. Connect the Live and Neutral supply wiring to the terminal block, and replace the terminal block cover via the screw.
5. Secure the fan to the wall via the four screw and mounting holes.
6. Replace the front panel and external shutter (External shutter not supplied).

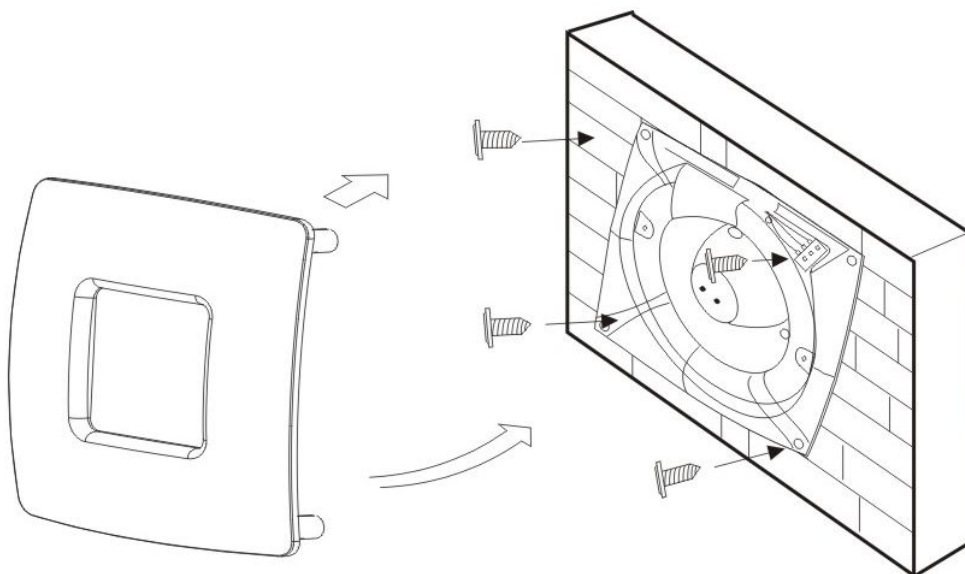


Fig. 4

● CEILING INSTALLATION

1. Find a suitable location and cut the appropriate size (150mm) diameter. Ensure there are no cables or pipes above the ceiling when cutting.
2. Remove the front panel of the exhaust fan and position against the ceiling mounting surface and mark the four fixing screw points and cable entry, and then drill to suit.
3. Place the exhaust fan through the cut out hole and position the exhaust fan in place.
4. Connect the Live and Neutral supply wiring to the terminal block, and replace the terminal block cover via the screw.
5. Secure the fan to the wall via the four screw and mounting holes, or via the 2 quick-fits, which are located on the sides of the exhaust fan. (See Fig. 6)
6. Replace the front panel.

Note: Where ducting (not included) is used, ensure the outlet ducted in such that to avoid the back-flow of gases into the room from the open flue of gas or other fuel-burning appliances.

Note: Ceiling exhaust fan units must be ventilated to the outside and not into the ceiling cavity. Use a duct and back draught shutter to suit (not included).

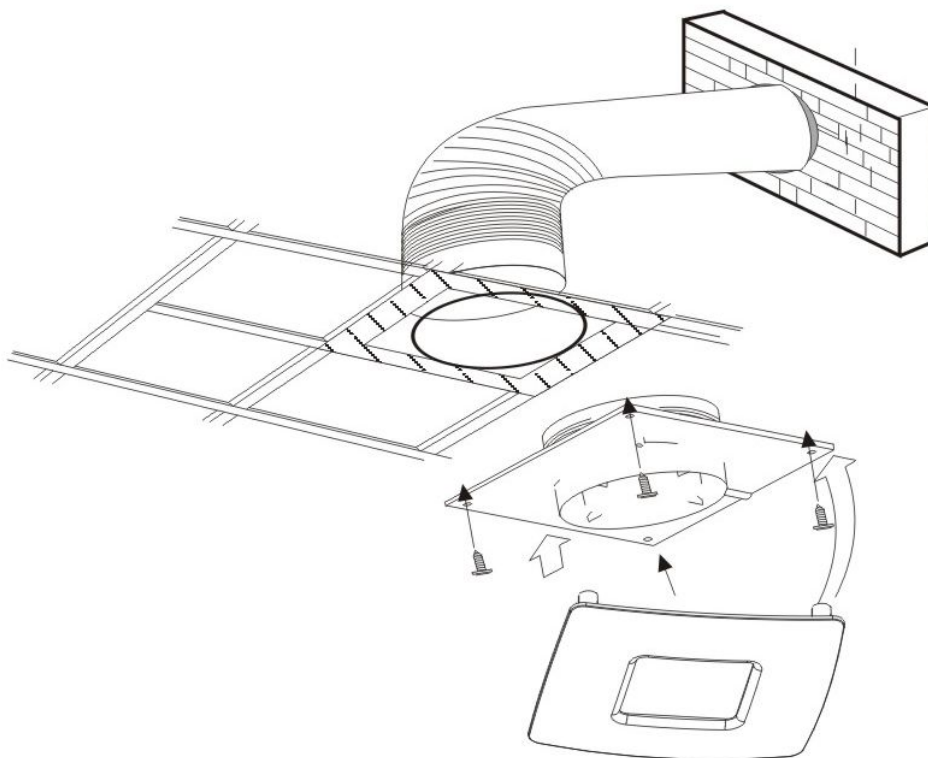


Fig. 5

● INSTALLATION DIAGRAMS



Remove plastic cover to access the quick-fits clip screw.
(Right)
Turn screw clock-wise to make the metal clip come out to the side and lock into place against the side of the ceiling. (Above)

Four mounting
screw holes

Fig. 6

● SPECIFICATION

Model	Rated voltage (V/Hz)	Input (W)	Air-Flow (m ³ /h)	Noise (dB)	Size (mm)
VUF150SS	220-240V~50Hz	25	210	39	150
VUF150WH	220-240V~50Hz	25	210	39	150

● MAINTENANCE & SERVICE

Before carrying out any maintenance, ensure the power is switched OFF from the mains power supply.

1. Wipe down the fascia and grilles with a wet soapy cloth only. Do not allow water to contact electrical part, such as motor.
2. Never use petrol, benzene, thinner or any other such chemicals for cleaning the ventilating fan.
3. Do not immerse resin parts into hot water over 60°C.
4. Do not place hot objects near or install nearby hot appliances.