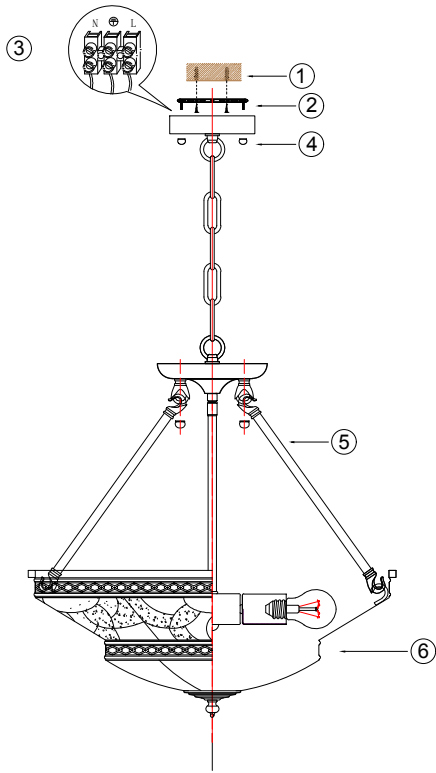
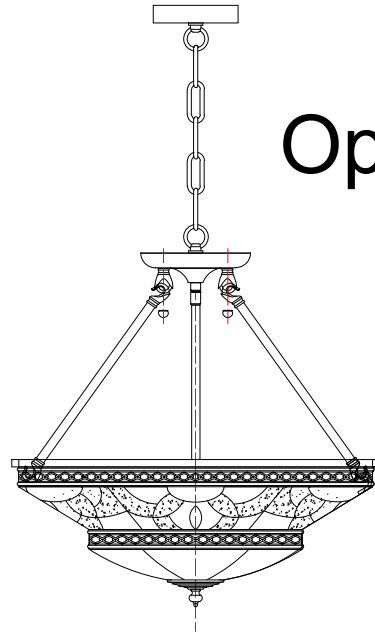


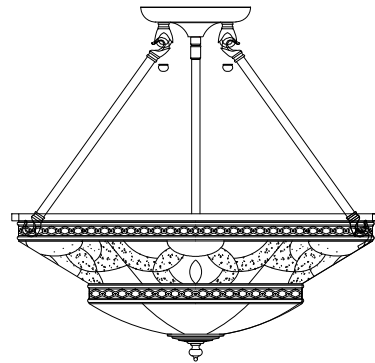
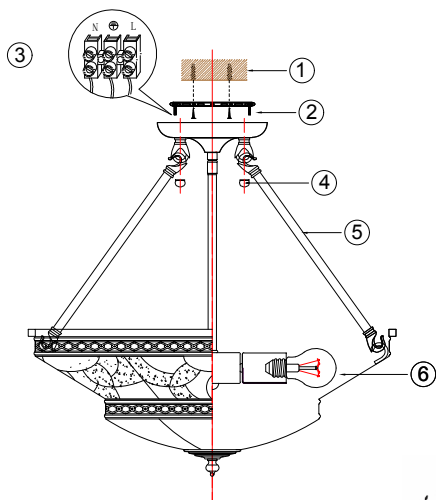
# ITEM NO.:ORISTA PE


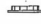



## Option 1



## Option 2



- Disclaimer:
-  Tools not included
  -  Shade ring attached on lamp holder
  -  Globe(s) not included

**IMPORTANT**  
Must be installed by  
a qualified electrical  
contractor.  
Install in accordance  
with AS/NZS3000



**Telbix.**

240V ~ 50Hz E27 Max.25W x4

NOTE: GLOBE NOT INCLUDED