



BROOM S9311 - 3W

Recessed 3 watt LED square profile wall luminaire

Application

Ideal for any residential or commercial interior space

Design Specifications

- Durable extruded aluminium body profile
- White powder coat or satin nickel plated finish
- High efficiency SMD optics, beam distribution 105°
- CCT 3000K, CRI >80
- Opal acrylic diffuser
- 12V AC or DC remote driver required, suitable drivers - PLUTO EGL12V/6W, PLUTO 15DV, 40DV, 60DV

Performance

- Dimmable - NO



Technical Specification

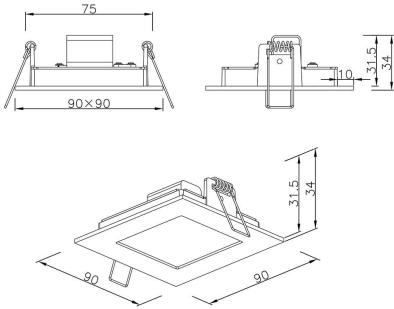
Product	Model No.	Input Voltage (V/AC)	Input Voltage (V/DC)	Power (W)	Lumens (lm)	CCT (K)
	S9311 WH	12	12	3	110	3000
	S9311 SN	12	12	3	110	3000

CRI	Beam Angle (°)	Dimmable	Dim (mm)	Body Colour
80	105	NO	90(L) x 90(W) x 32(H)	WHITE
80	105	NO	90(L) x 90(W) x 32(H)	SATIN NICKEL

Due to continued product and technology enhancements, data sourced from sal.net.au shall not form part of any contract and or technical performance guarantee unless expressly confirmed in writing by SAL at the time of order. Products are sold in accordance with SAL Terms and Conditions of sale and all images shown are for illustration purposes only and may vary from the actual colour or finish. Unless specifically stated, all IP ratings nominated for Interior products are from "below the ceiling".

Dimensions

S9311



75 × 75mm

Photometric Data

Unit: cd C0/C180 — C90/C270 —

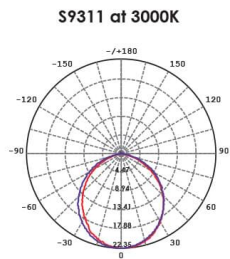




Image courtesy of QCE,
photography Indie Lane Tourquay

**DID
YOU
KNOW** ?

Before selecting a luminaire, look for the marks of Compliance and Safety. Starting with the RCM mark, this signals that the product has been tested to all relevant Australian Safety standards, to ensure the product delivers its designed safety performance.