



STAR SPOT II S9362WW - 3W

Compact design LED 3 watt downlight, IP54

Application

Ideal for any residential feature lighting, home theatre, restaurants or commercial interior spaces

Design Specifications

- 35mm diameter trim face, low profile design, 30mm cut-out
- Available in Black or White finish
- Durable aluminium body profile
- CCT 3000K, 170 lumens, CRI>80
- High output LED optics, 30° beam distribution
- Designed with a dimmable remote driver, with flex and plug, double insulated





Performance

- Dimmable - **YES**
- Dimmer Type - **Trailing Edge**



Technical Specification

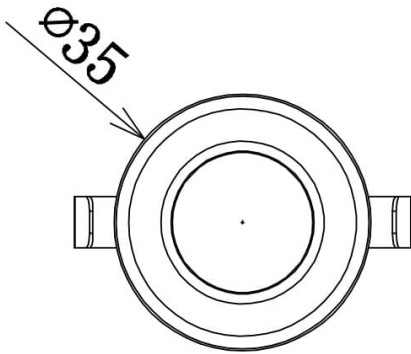
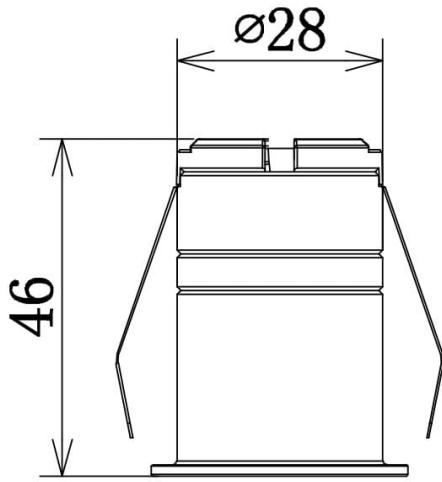
Product	Model No.	Input Voltage (V/AC)	Power (W)	Lumens (lm)	CCT (K)	Beam Angle (°)
	S9362WW/WH	240	3	170	3000	30
	S9362WW/BK	240	3	170	3000	30

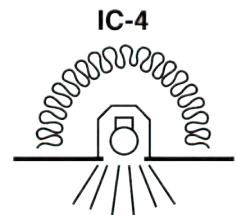
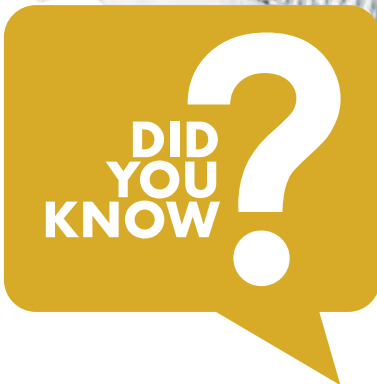
Dimmable	CRI	Body Colour	Cut Out (mm)	Diameter (mm)	Dim (mm)
YES	80	WHITE	30	35	46(H)
YES	80	BLACK	30	35	46(H)

Due to continued product and technology enhancements, data sourced from sal.net.au shall not form part of any contract and or technical performance guarantee unless expressly confirmed in writing by SAL at the time of order. Products are sold in accordance with [SAL Terms and Conditions of sale](#) and all images shown are for illustration purposes only and may vary from the actual colour or finish. Unless specifically stated, all IP ratings nominated for Interior products are from "below the ceiling".



Dimensions





Before selecting a downlight look out for the marks of Compliance and Safety. Starting with the RCM mark, this signals that the product has been tested to all relevant Australian Safety standards, to ensure the product delivers its designed safety performance. In addition and when thermal insulation batts are installed in the ceiling cavity, look out of the IC rating to ensure the product is suitable for such an application.

